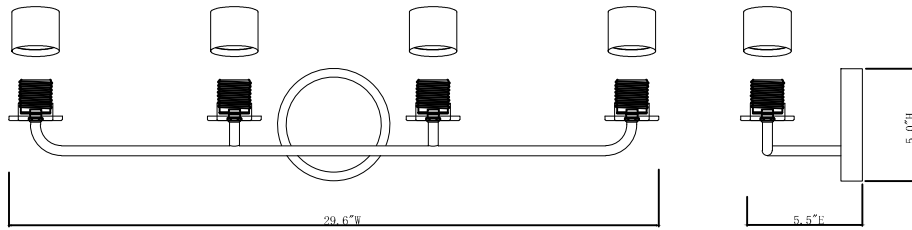


# Model:TRV8154H



Parts package		
Item	Name	Qty
	Mounting screw	2
	Wire connector	3
	Mounting strap	1
	Ground screw	1
	Paddle screw	2

**Tools required:** Flathead screwdriver, Phillips screwdriver, pliers, wire cutters, wire strippers, electrical tape, safety glasses.

**Light Source:** (4) Medium Base-60W, not included.

**Preparation:** Identify and inspect all parts before beginning installation. Check package content list to be sure all parts are present. If any parts are missing or damaged, do not attempt to assemble, install, or operate the fixture. Contact customer service for replacement parts.

## Warnings and Cautions

Have your fixture installed by a qualified, licensed electrician.

Turn off electricity at circuit breaker or main fuse box before installation. Consult a licensed electrician if in doubt.

Disconnect fixture from power source before replacing bulbs.

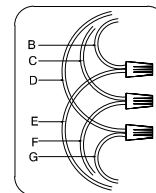
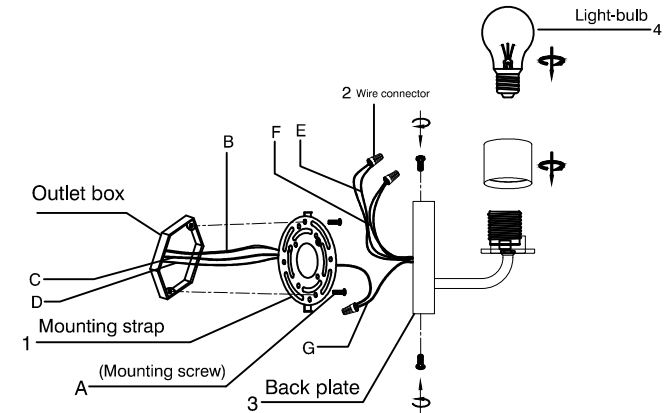
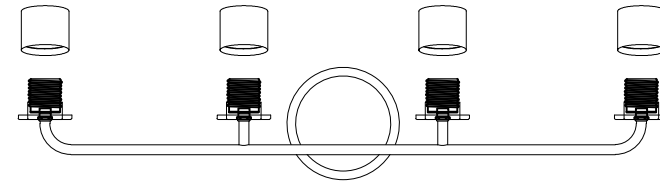
Make sure bulbs are given sufficient time to cool before removal.

Do not subject glass parts to any shock while in operation or shattering may result.



TRUE LIGHT CO.

# Installation



A-Mounting screws x 2 (provided)  
 B-Black wire (L) from junction box  
 C-White wire (N) from junction box  
 D-Green wire/bare copper (G) from junction box  
 E-Black wire from fixture  
 F-White wire from fixture  
 G-Bare wire from fixture

## Installation Instructions:

1. Mount the mounting plate to the junction box and the wall using the provided expansion plugs and screws.
2. Slide the electrical wires from the outlet box through the large center hole of the mounting plate, make connection with the fixture's lead wires using the supplied wire connectors. Refer to the wiring chart and instructions for all necessary connections.
3. Attach the back plate to the mounting plate by driving the 2 screws on the top and 2 screws from the bottom and tighten.
4. Install the light bulb.